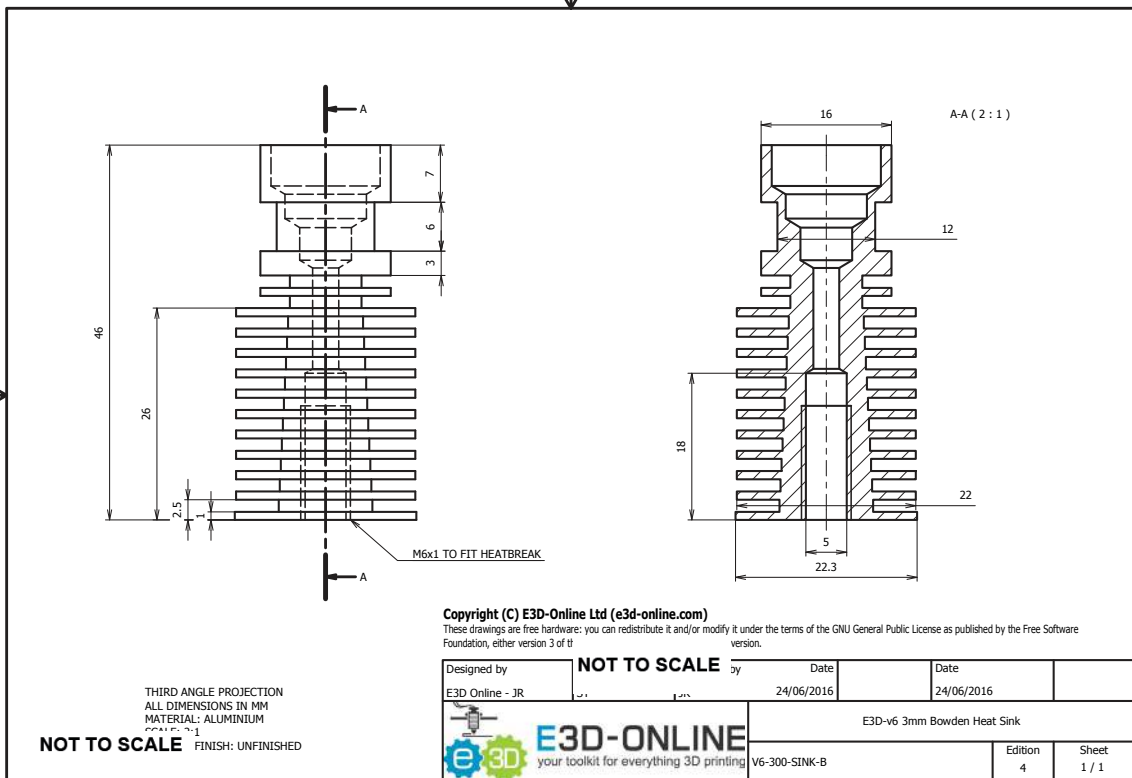
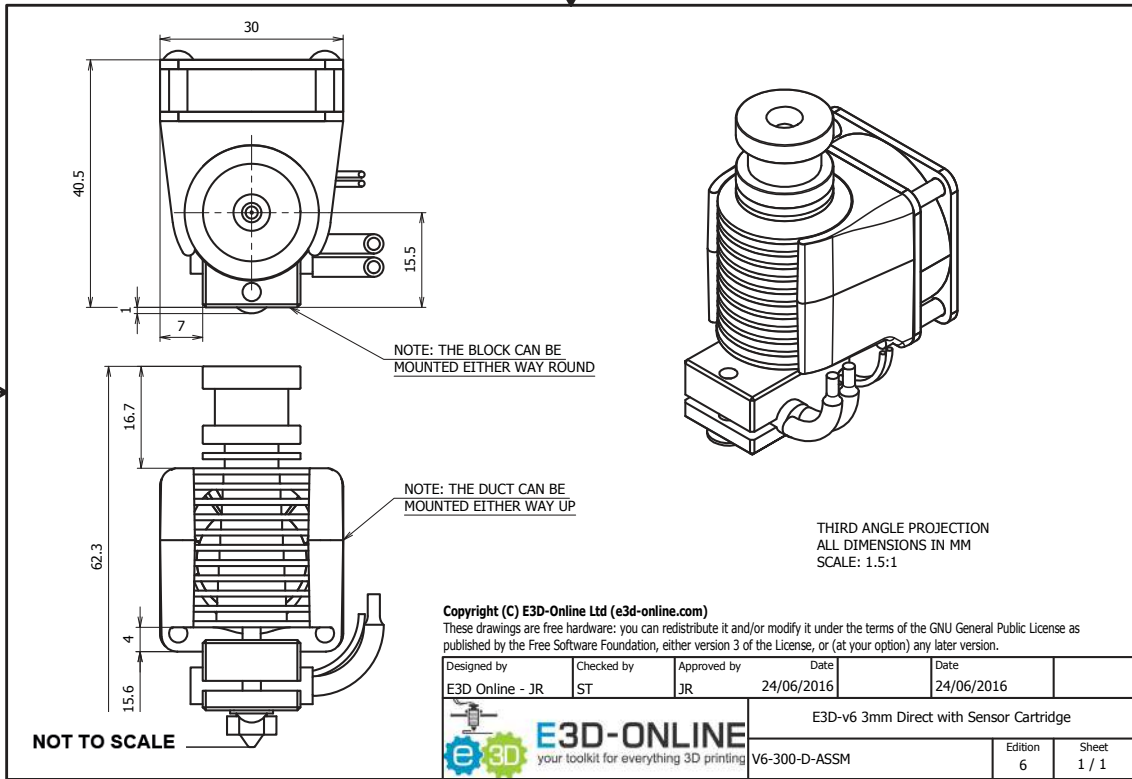
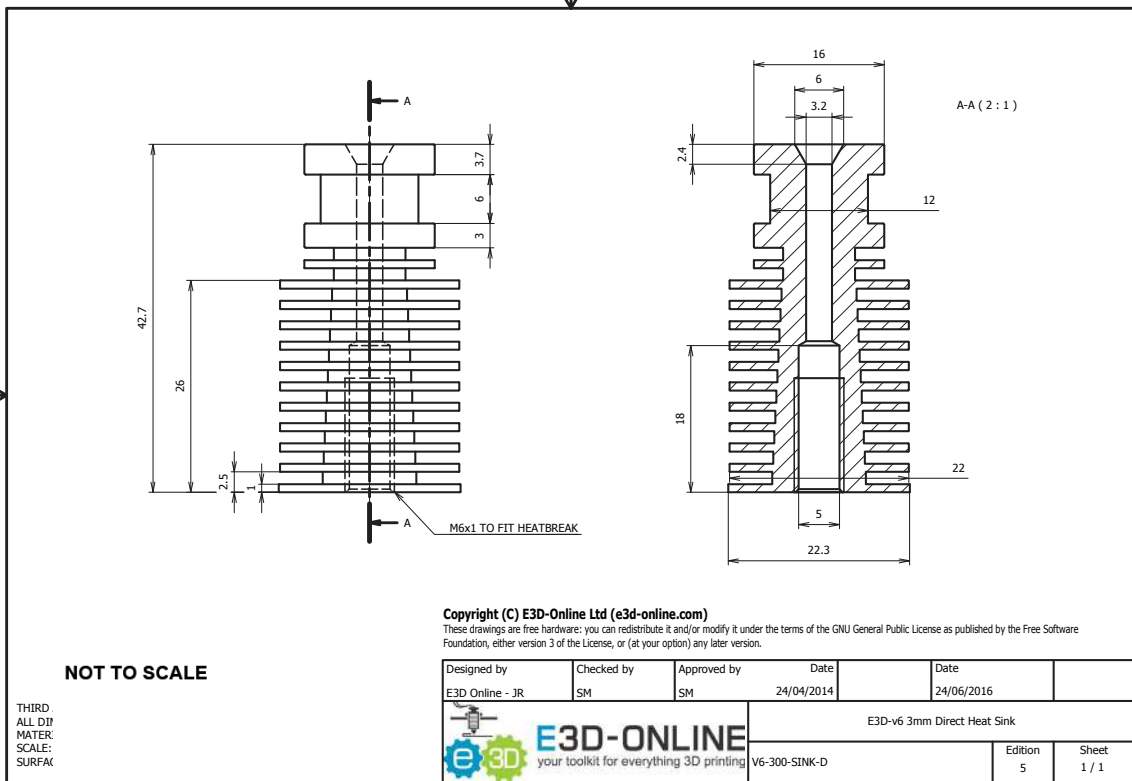
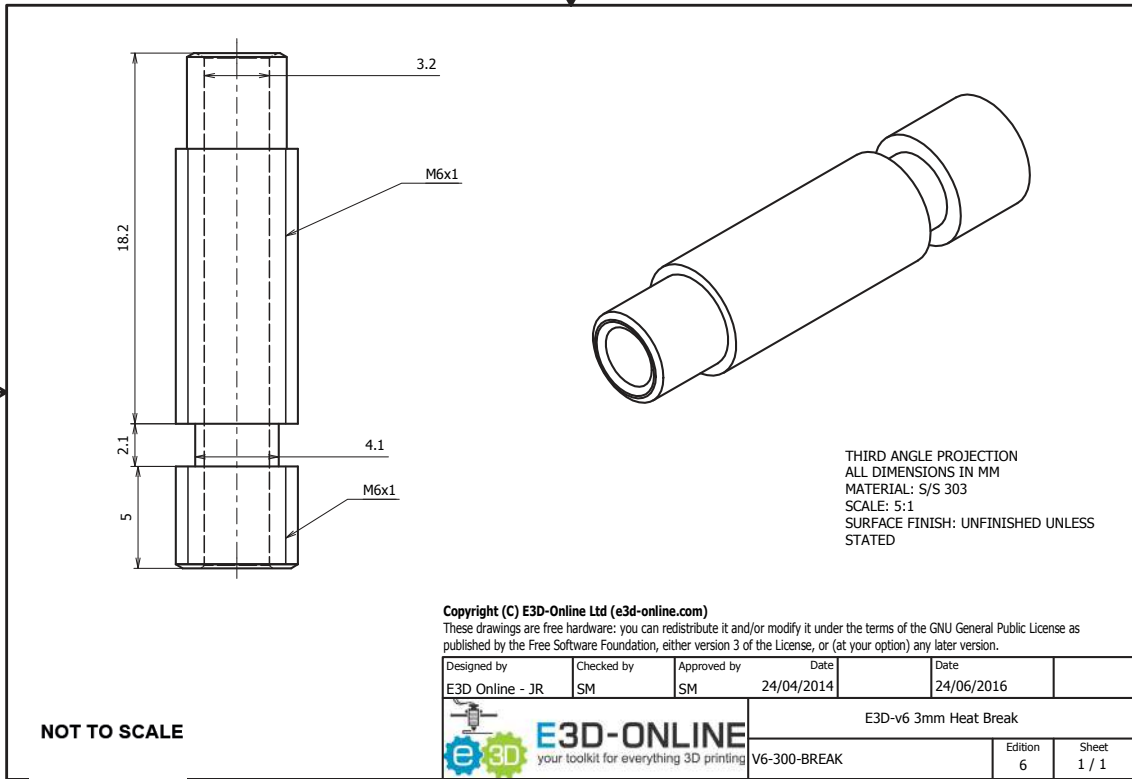


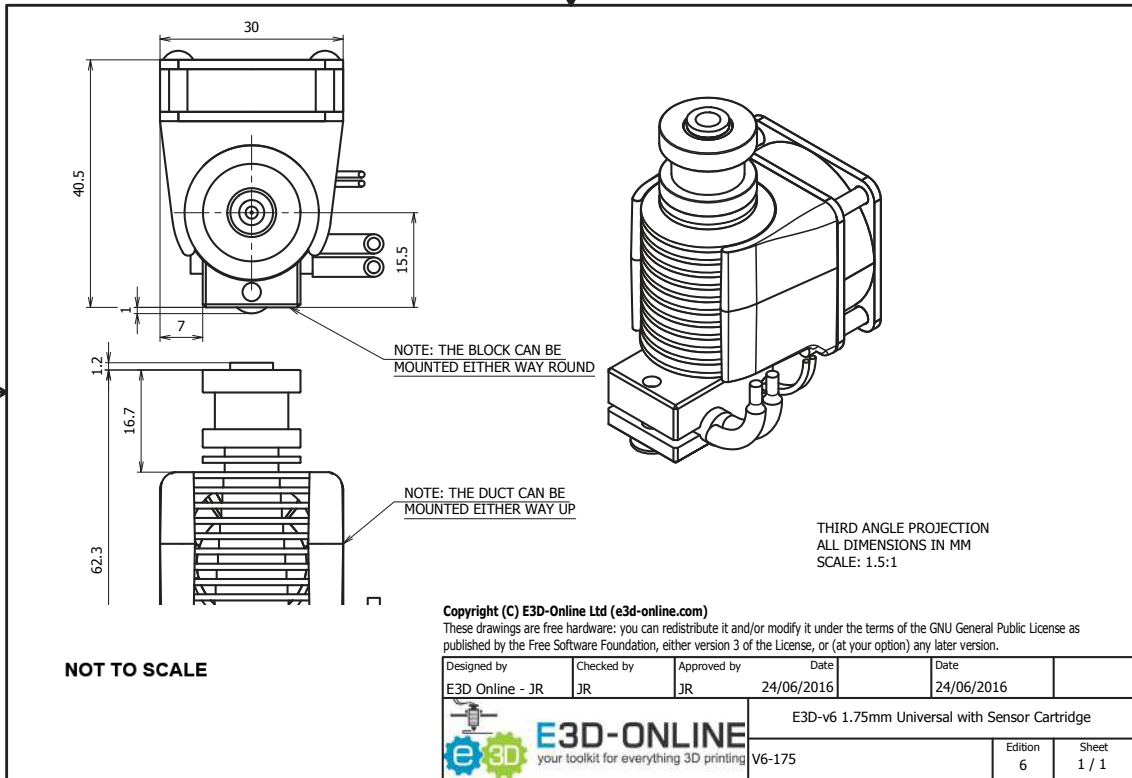
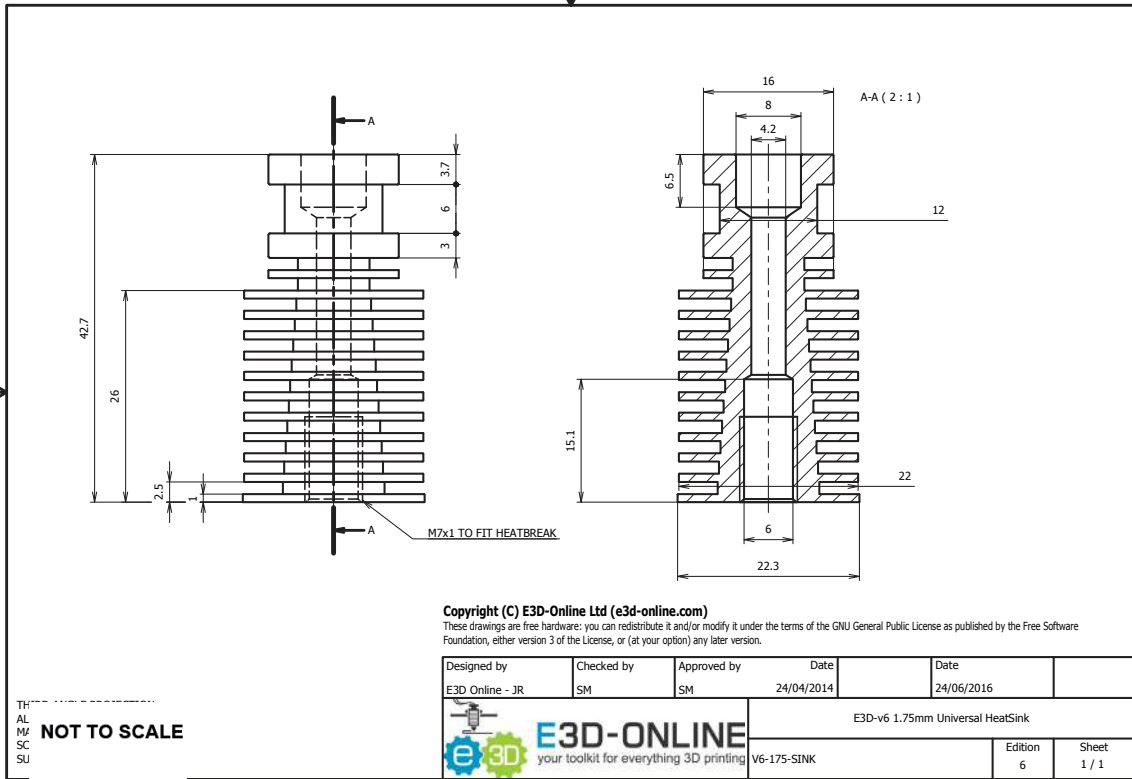
TECHNICAL DRAWINGS



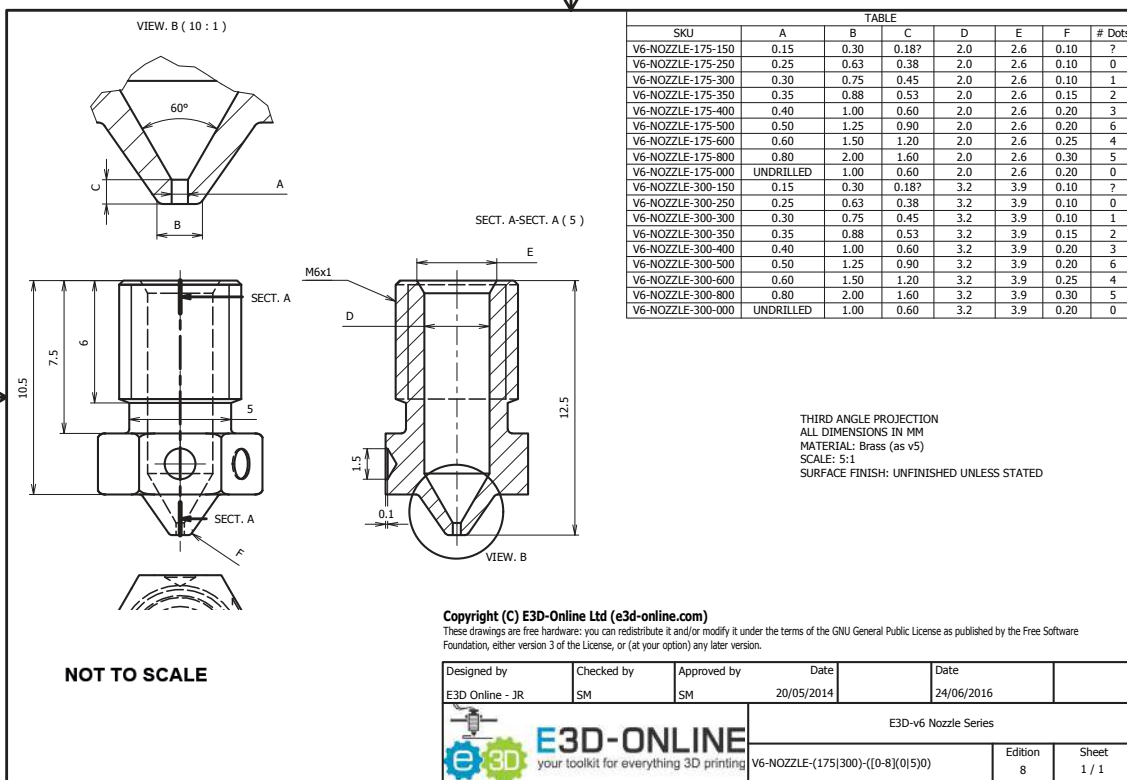
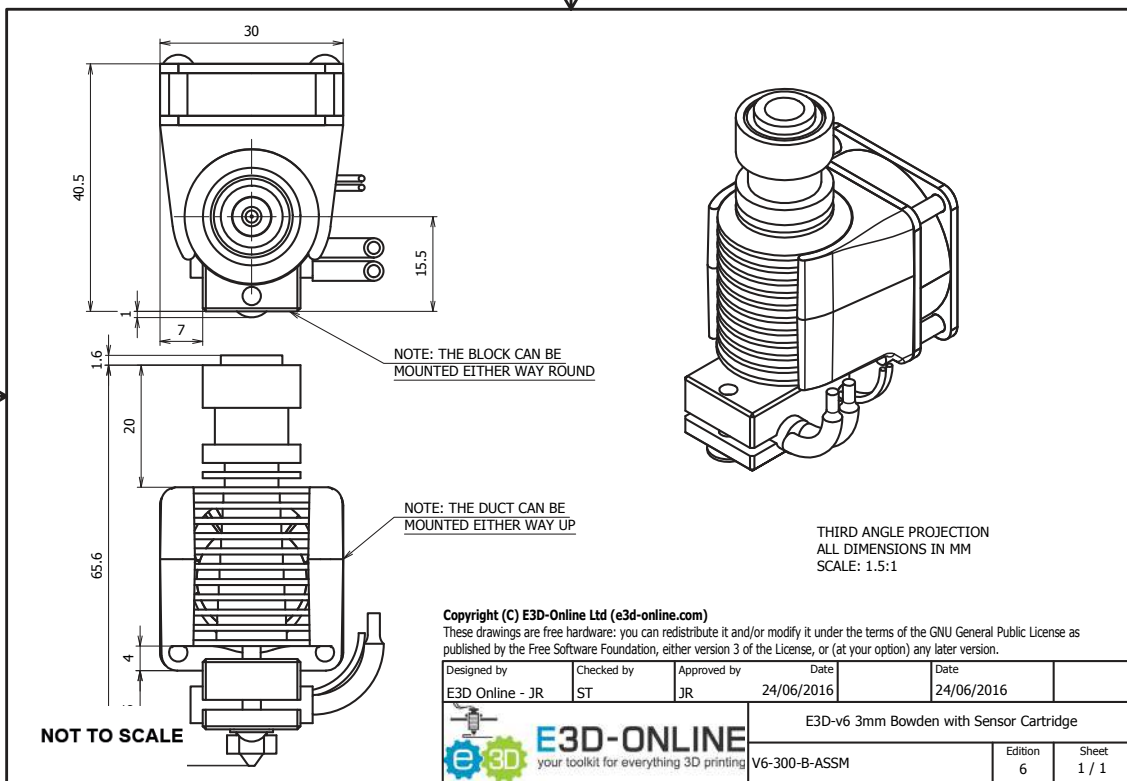
TECHNICAL DRAWINGS



TECHNICAL DRAWINGS



TECHNICAL DRAWINGS



TECHNICAL DRAWINGS

Copyright (C) E3D-Online Ltd (e3d-online.com)
 These drawings are free hardware: you can redistribute it and/or modify it under the terms of the GNU General Public License as published by the Free Software Foundation, either version 3 of the License, or (at your option) any later version.

Designed by	Checked by	Approved by	Date	Date
E3D Online - JR	SM	SM	27/03/2015	24/06/2016

E3D-ONLINE
 your toolkit for everything 3D printing

E3D-v6 Heater Block for Sensor Cartridges		
V6-BLOCK-CARTRIDGE-ALU	Edition 8.1	Sheet 1 / 1

NOT TO SCALE

REVISION HISTORY

ZONE	REV	DESCRIPTION	DATE	APPROVED
	1	PTFE hole updated	30/08/2018	ABL

Copyright (C) E3D-Online Ltd (e3d-online.com)
 These drawings are free hardware: you can redistribute it and/or modify it under the terms of the GNU General Public License as published by the Free Software Foundation, either version 3 of the License, or (at your option) any later version.

Designed by	Checked by	Approved by	Date	Date
E3D Online - JR	SM	SM	24/04/2014	24/06/2016

E3D-ONLINE
 your toolkit for everything 3D printing

E3D-v6 1.75mm Heat Break		
V6-175-BREAK	Edition 1	Sheet 1 / 1

NOT TO SCALE

